

OUTLANDER DOOR MIRROR COVER MZ569716EX INSTALLATION AND HANDLING INSTRUCTIONS

Thank you for purchasing the Mitsubishi Genuine Accessory.
To install and use the product correctly with proper knowledge of it, read this publication carefully.
Keep this publication for reference when maintenance is required.

Attention

- This publication gives precautionary instructions in the boxes titled as follows.
Read through these instructions thoroughly.



Caution

Describes precautions that should be observed in order to prevent injury or damage to the vehicle or its components, which may occur if sufficient care is not taken.



Note

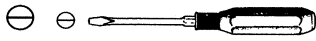
Provides additional information that facilitates installation work.

- Failure to follow these instructions not only prevents the product from working properly but may lead to trouble with the vehicle. Be sure to follow all instructions carefully.
- If there is anything unclear about the illustration, handling and/or usage of the product, contact your Mitsubishi Motors dealer for clarification.
- Mitsubishi Motors Corporation is not responsible for any defects or difficulties caused by or resulting from the failure to follow given instructions.
- We recommend you to have the installation performed at an authorized Mitsubishi Motors dealer.

To the dealer:
Be sure that the customer receives this publication.

■ **TOOLS** (Make the following tools ready for use.)

Flat blade screwdriver (medium)



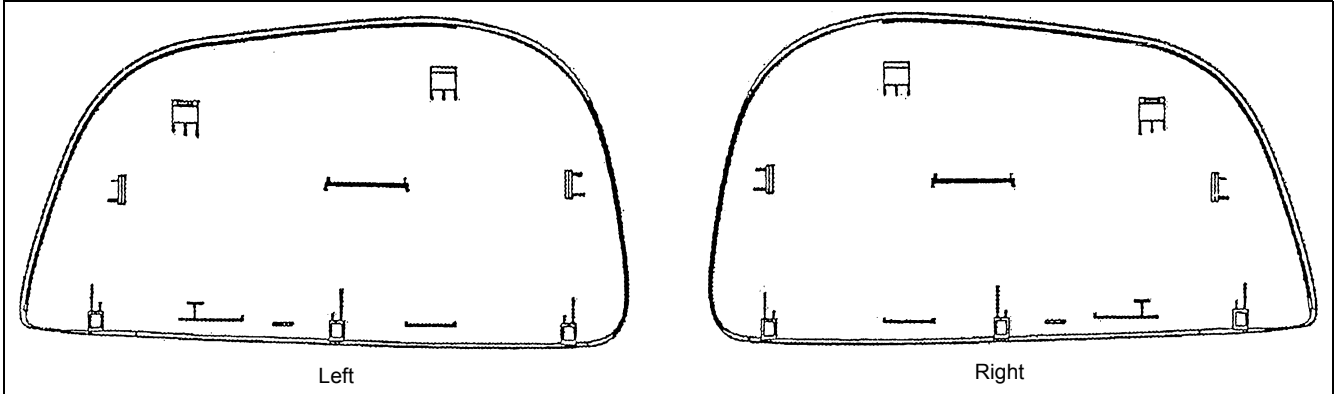
Masking tape



Flashlight

■ **COMPONENTS** (Make sure that all of the following components were included in the kit.)

① Door mirror cover: 2 (left and right, 1 each)

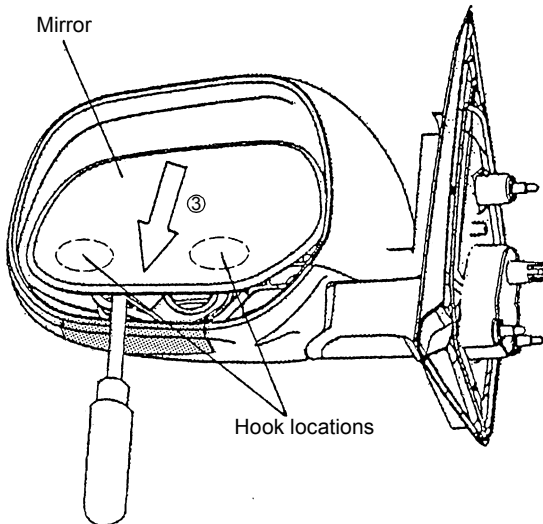
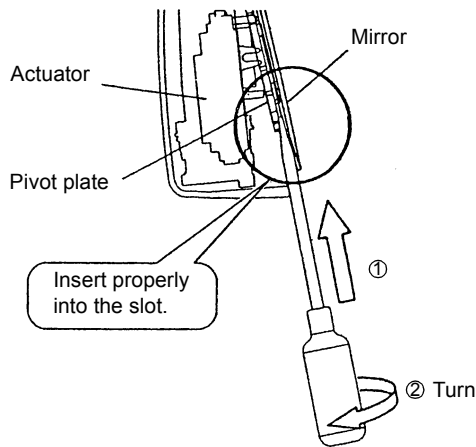
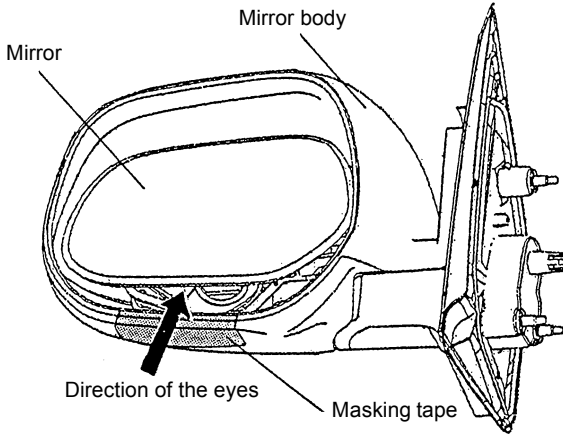


■ **PRECAUTIONS**

- Be sure to apply the parking brake securely. Remove the ignition key from the key cylinder.
- The illustrations in the Installation Procedures depict the installation of the left side part. Install the other parts in the same manner.

INSTALLATION PROCEDURES

A. REMOVING THE MIRROR



- 1) Attach the masking tape on the mirror body as shown in the drawing to protect the mirror body from scratches.
- 2) Push the upper side of the mirror to make the mirror face upward.
- 3) Confirm the position of the slot between the mirror and the pivot plate using a flashlight.
- 4) Insert a flat blade screwdriver into the slot confirmed in step 3) (between the mirror and the pivot plate) as shown in the drawing.
- 5) Turn the screwdriver to pry up the mirror and disengage the two hooks one by one.

Caution

- If it is cold, heat the hooks and their surroundings up to 20°C before the work to prevent the hooks from breakage.
- Be careful not to break the hooks. A mirror with a broken hook may fall off.

- 6) After disengaging the two hooks, push the lower part of the pivot plate with the screwdriver to turn only the pivot plate downward.
- 7) Pull the mirror downward (in arrow direction) and remove it.

Caution

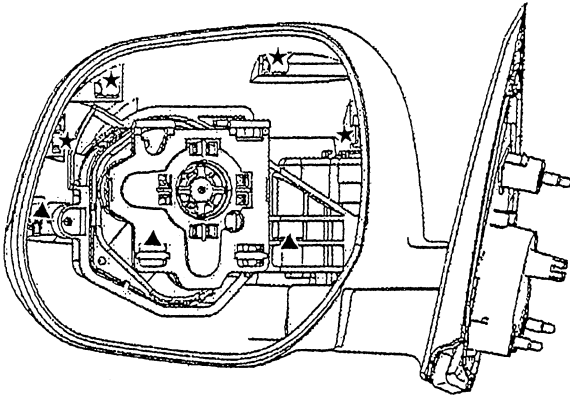
- Do not pull the mirror forcibly as it may damage the actuator, resulting in inoperative mirror.
- Do not disconnect the heater harness (if the mirror is a heated mirror).

Check	
-------	--

B. REMOVING THE STANDARD MIRROR COVER

★: Hook

▲: Hook



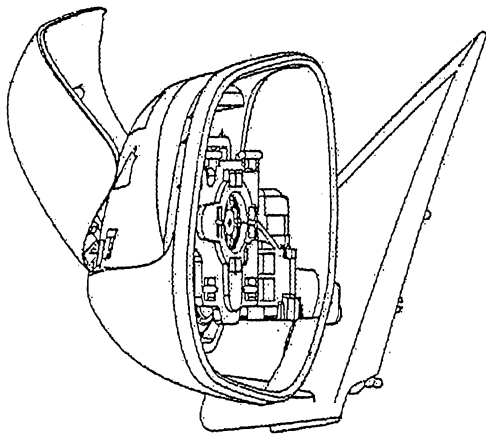
- 1) Release the five hooks at the periphery of the cover one by one. Then release the remaining two hooks and remove the standard mirror cover.

⚠ Caution

Be careful not to break the hooks during removal of the mirror cover. If any of them is broken, be sure to remove the broken piece as it may be a cause of noise.

Check

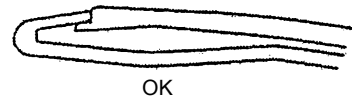
C. INSTALLING THE DOOR MIRROR COVER



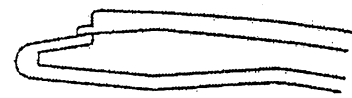
- 1) Fit the forward sides of the door mirror cover ① to the mirror body as shown in the drawing.
- 2) Holding the whole body of the door mirror cover ① by both hands, engage the hooks and set the door mirror cover ① in position.

⚠ Caution

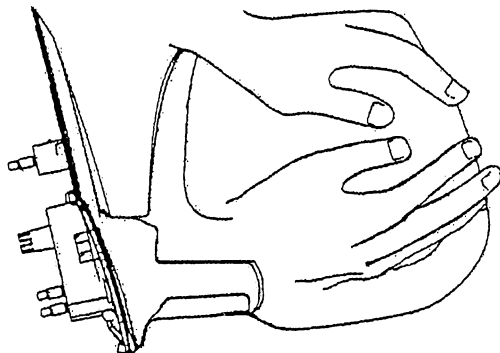
- Make the clearance between the door mirror cover ① and the mirror body even.
- Check that the entire edge of the door mirror cover ① fits correctly into the mirror body as shown.



OK



NG

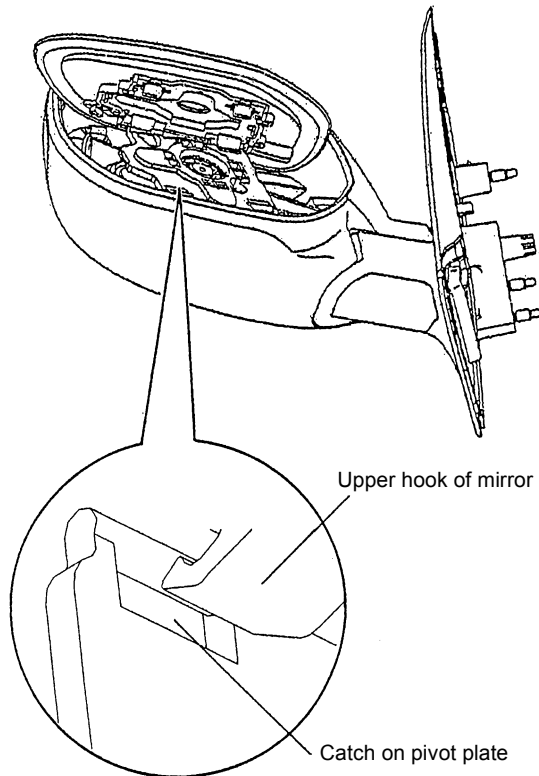
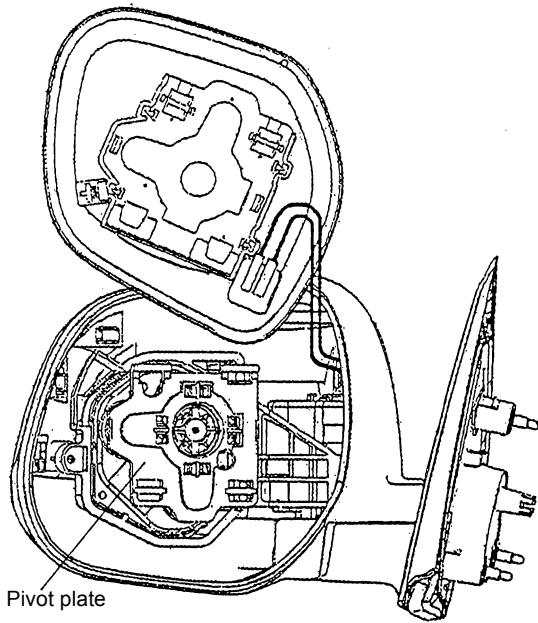


📖 Note

Check the seven hook positions before installation. After installation, tap the mirror cover at the hook positions to check that the hooks are firmly engaged in the mirror body.

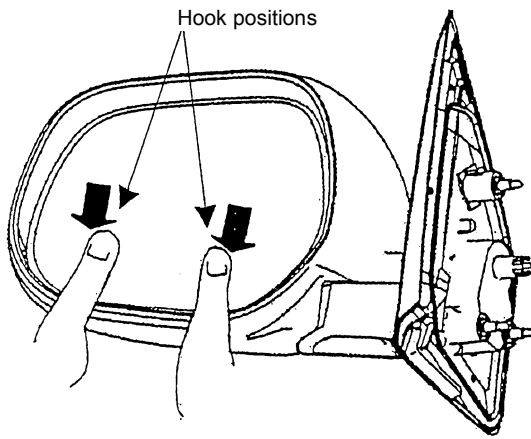
Check

D. INSTALLING THE MIRROR



1) Push the lower part of the pivot plate and face it downward.

2) Engage the upper hooks on the backside of the mirror with the catches on the pivot plate.



- 3) Press the two hook positions on the bottom part of the mirror as shown in the drawing and engage the hooks firmly.



Caution

Apply finger pressures to the area near the hooks. Pushing elsewhere could break the mirror.

Check

E. CHECKING AFTER INSTALLATION

- Check that the mirror is secured firmly with the hooks.

Check

CARE AND HANDLING

- To clean the product, wipe with a soft material such as sponge or chamois leather.
- Do not use any hard material for cleaning such as a scrubbing brush, as it could scratch the surface.
- Do not use wax with compound, as it could damage the surface.
- Take care to prevent contact with gasoline, kerosene, brake fluid, engine oil, grease, paint thinner, sulfuric acid (battery electrolyte) and wax remover that could cause discoloration, staining and cracking. Should any of them contact the surface, remove the substance immediately by wiping with a soft cloth or chamois leather moistened with mild detergent, then wash the surface thoroughly with water.